

# TUBE

07-Nov.-2018

## 1.0 LED

**LED** 8W | 220-240VAC | 50-60Hz | COB 3-step | incl. PS | phase-cut dim

CE IP65 0.9m 38°

3000K | >90CRI | 480lm

white texture  
dark grey texture  
black texture

711164W5  
711164D5  
711164B5

## 1.0 PAR16

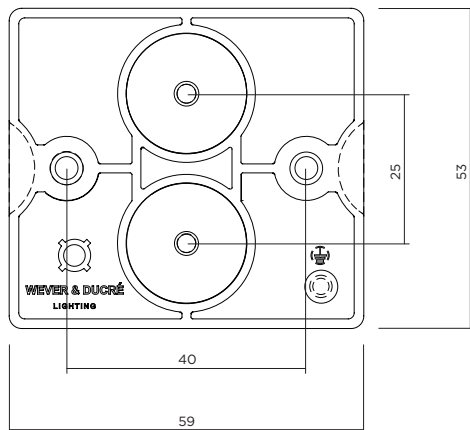
PAR16 max. 35W | GU10 | 100-240VAC | 50-60Hz

CE IP65 0.9m

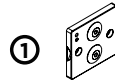
white texture  
dark grey texture  
black texture

711120W0  
711120D0  
711120B0

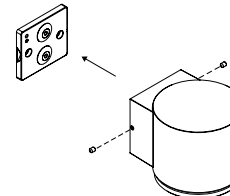
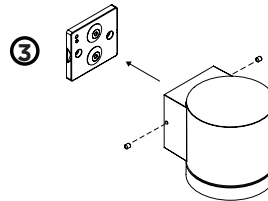
**OPTIONAL**  
for PAR16 lamps see our catalogue



### 1.0 LED



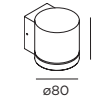
### 1.0 PAR16



### necessary for IP-rating

|                                   | A   | B  | C   |
|-----------------------------------|---|--|---|
| use pin to make hole, not a knife |   |  |   |
| CABLE                             |   |  |   |
| TYPE                              | ROUND<br>H05RN-F<br>H07RN8-F<br>H07RN-F   | ROUND<br>H05RN-F                                   | ROUND                                     |
| OUTSIDE Ø                         | min 6.8mm<br>max 8.9mm  | min 5mm<br>max 6.8mm                               | min 1.5mm<br>max 2.6mm                    |
| CONDUCTION SECTION                | 2or3x 0.75mm <sup>2</sup><br>2or3x 1.0mm <sup>2</sup><br>2or3x 1.5mm <sup>2</sup> | 2or3x 0.75mm <sup>2</sup><br>2x 1.0mm <sup>2</sup> | 0.75mm <sup>2</sup><br>1.5mm <sup>2</sup> |

## DIMENSIONS



1.0 LED



1.0 PAR16

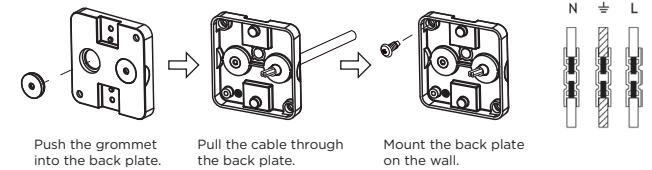
## MOUNTING INSTRUCTION

- Remove the backplate and fixate it to the wall with screws.

### 2 POWER CONNECTION

Exterior: WATERPROOF Connection

IP-rated connections for wall fixtures: cable isolation for round cables  $\varnothing$  4.5-7.5 mm, should be in the grommet. For cable use  $\varnothing$  7.0-9.5 mm: replace the grommet with the other grommet in the bag. Refer to overview table.



- Fixate the fixture base to the back plate with side screws

- For PAR16:  
Remove the glass cover by turning it.  
Insert the lamp.  
Turn the glass cover back on the fixture.